

Panasonic
BUSINESS

TOUGHBOOK 33 mk1
Solution Guide

TOUGHBOOK





TOUGHBOOK 33 2-IN-1 DETACHABLE WINDOWS 10 PRO 12" FULLY RUGGED NOTEBOOK

TOUGHBOOK 33 2-in-1 Detachable, 12.0" fully rugged notebook with hot swappable twin batteries, detachable keyboard with optional backlit keys, and highly configurable capabilities brings unrivalled flexibility and performance for mobile business computing. Thanks to the detachable keyboard design and 6 usage modes, the TOUGHBOOK 33 2-in-1 Detachable offers the best of all worlds for mobile workers. Target industries for the device include field service workers, maintenance and service technicians in utilities and telecommunications, as well as government agencies, defence, the police and other emergency services.

- Intel® Core™ i5-7300U vPro™ processor
- Windows 10 Pro
- Next generation Dual-touch (with digitiser) display with 3:2 aspect ratio
- 12.0" QHD (2160 ×1440) anti-reflective high brightness outdoor display (up to 1200cd/m²)
- Capacitive 10 finger multi-touchscreen with glove and rain modes
- Digitiser pen embedded in the tablet part
- Detachable keyboard with various enterprise ports and backlit* keys
- Fully rugged design with water and dust resistance (IP65)**
- User exchangeable and hot-swappable twin batteries
- Up to 10 hours battery life with standard twin batteries (MobileMark™ 2014)
- Up to 20 hours battery life with extended* twin batteries (MobileMark™ 2014)
- Flexible configuration port*** and business expansion module***
- Vehicle mount* available for both notebook and tablet

*Optional

**Tested at Panasonic factory and does not guarantee against damage or malfunction

***One option exclusively possible in configuration port / business expansion module

All technical specifications are subject to change without notice.





TOUGHBOOK 33 TABLET

WINDOWS 10 PRO 12" FULLY RUGGED TABLET

TOUGHBOOK 33 Tablet, the 12.0" fully rugged device with hot swappable twin batteries and highly configurable capabilities brings unrivalled flexibility and performance for mobile business computing. Thanks to the optional detachable keyboard, the TOUGHBOOK 33 Tablet offers the best of all worlds for mobile workers. Target industries for the device include field service workers, maintenance and service technicians in utilities and telecommunications, as well as government agencies, defence, the police and other emergency services.

- Intel® Core™ i5-7300U vPro™ processor
- Windows 10 Pro
- Next generation Dual-touch (with digitiser) display with 3:2 aspect ratio
- 12.0" QHD (2160 × 1440) anti-reflective high brightness outdoor display (up to 1200cd/m²)
- Capacitive 10 finger multi-touchscreen with glove and rain modes
- Digitiser pen embedded in the tablet
- Optional detachable keyboard with various enterprise ports and backlit* keys
- Fully rugged design with water and dust resistance (IP65)**
- User exchangeable and hot-swappable twin batteries
- Up to 11 hours battery life with standard twin batteries (MobileMark™ 2014)
- Up to 22 hours battery life with extended* twin batteries (MobileMark™ 2014)
- Flexible configuration port*** and business expansion module***
- Optional vehicle mount

All technical specifications are subject to change without notice.



TOUGHBOOK 33 ACCESSORY ECOSYSTEM



All technical specifications are subject to change without notice.

DOCKING SOLUTIONS

Desktop Port Replicator

AC adaptor not included. Use CF-AA5713A

Part No: CF-VEB331U



TOUGHBOOK 33 Laptop Vehicle Dock (GJ)

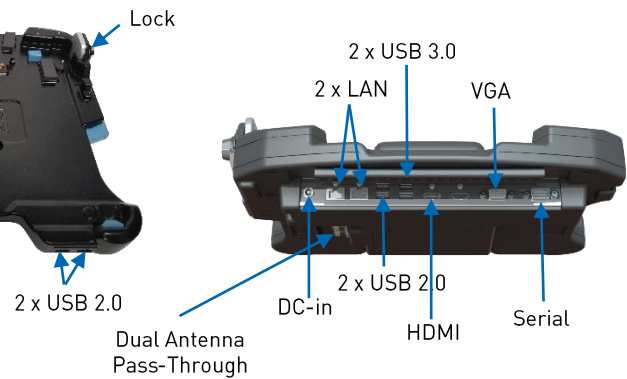
No power adaptor included. Keyed alike unless otherwise stated.

Dimensions: 358 x 343 x 89 mm / 14.1 x 13.5 x 3.5"

Weight: 3 kg / 6.7 lb

Part Nos:

- PCPE-GJ33V06 – Full port replication, No RF
- PCPE-GJ33V07 – Full port replication, Dual RF
- PCPE-GJ33V08 – Non-electronic cradle



TOUGHBOOK 33 Laptop Vehicle Dock (Havis)

No power adaptor included. Keyed alike unless otherwise stated. Full port replication.

Dimensions: 300 x 327 x 88.9 mm / 11.83 x 12.88 x 3.50"

Weight: 2.44 kg / 5.38 lbs.

Part Nos:

- PCPE-HAV3301 – Full port replication, no RF
- PCPE-HAV3302 – Full port replication, with RF
- PCPE-HAV3303 – Non-electronic cradle



All technical specifications are subject to change without notice.

DOCKING SOLUTIONS

Gamber Johnson TOUGHBOOK 33 Tablet Vehicle Dock

No power adaptor included. Keyed alike unless otherwise stated.

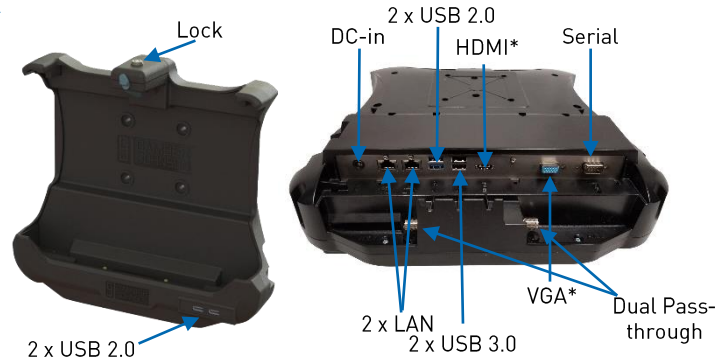
Dimensions: 317.5 x 336.5 x 114.3 mm / 12.5 x 13.25 x 4.5"

Max Weight: 1.88 kg / 4.15 lb

Part Nos:

- PCPE-GJ33V01 - Non-electronic
- PCPE-GJ33V02 - Full port replication, No RF
- PCPE-GJ33V03 - Full port replication, Dual RF
- PCPE-GJ33V04 - Lite port replication*, No RF
- PCPE-GJ33V05 - Lite port replication*, Dual RF

*No HDMI or VGA with "Lite" port replication



Gamber Johnson TOUGHBOOK 33 Slim Tablet Vehicle Dock

No power adaptor included. Keyed alike unless otherwise stated.

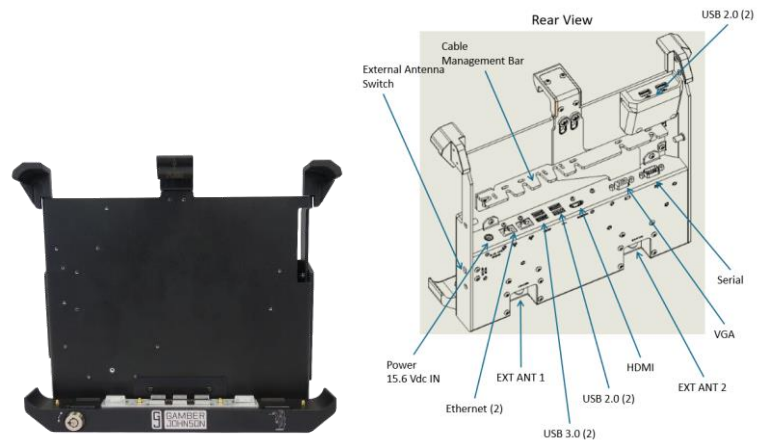
Dimensions: 314 x 274 x 76 mm / 12.3 x 10.8 x 3"

Max Weight: 2.7 kg / 6 lbs

Part Nos:

- PCPE-GJ33V09 - Lite port replication*, no RF
- PCPE-GJ33V10 - Lite port replication*, dual RF
- PCPE-GJ33V11 - Full port replication, no RF
- PCPE-GJ33V12 - Full port replication, Dual RF

*No HDMI or VGA with "Lite" port replication



Havis TOUGHBOOK 33 Tablet Vehicle Dock

No power adaptor included. Keyed alike unless otherwise stated.

Dimensions: 300 x 327 x 88.9 mm / 11.83 x 12.88 x 3.50"

Max Weight: 1.4 kg / 3.0 lb

Part Nos:

- PCPE-HAV3305 - Lite port replication*, no RF
- PCPE-HAV3306 - Lite port replication*, with dual RF
- PCPE-HAV3307 - Non-electronic cradle
- PCPE-HAV3309 - Full port replication, no RF
- PCPE-HAV3310 - Full port replication, with dual RF

*No HDMI or VGA with "Lite" port replication



All technical specifications are subject to change without notice.

PRODUCTIVITY SOLUTIONS

Panasonic IP55 Digitiser Pen

Part No: CF-VNP023U



Stylus Tether

Part No: CF-VNT002U



TOUGHBOOK 33 Standard Keyboard

AC adaptor not included – please use CF-AA5713A.

Part No: CF-VEK331NEP (UK)



Other languages available on request.

Mini USB Keyboard

With integrated touchpad.

Part No: PCPE-KEYB



Rugged USB Keyboard

For in-vehicle use. IP64.

Part No: PCPE-MMRK01*

*E: UK; F: French; G: German



Mini Rugged Bluetooth Keyboard

Part Nos: PCPE-ACDS*

*UK1: UK ; FR1: French; GR1: German



Mini Antibacterial USB Keyboard

Part No: PCPE-ACCABK*

*1: UK; 2: US; 3: French; 4: German



All technical specifications are subject to change without notice.

CARRYING SOLUTIONS

TOUGHBOOK 33 Rotation Strap with Kick Stand

Part No: CF-VST332U



Hand strap for TOUGHBOOK 33 Tablet

Part No: CF-VST331U



TOUGHBOOK 33 Mobility Bundle

Shoulder strap and carry handle for TOUGHBOOK 33.

Part No: PCPE-INF33B1



TOUGHBOOK 33 Always On Case - Tablet

With D-rings for attaching shoulder straps (sold separately)

Part No: PCPE-INF33A1



TOUGHBOOK 33 Always On Case - Notebook

With D-rings for attaching shoulder straps (sold separately).

Part No: PCPE-INF33A2



TOUGHBOOK 33 Advanced Hand Strap

With D-rings for attaching shoulder straps (sold separately)

Part No: PCPE-INF33H2



TOUGHBOOK 33 Rotating Hand Strap

With D-rings for attaching shoulder straps (sold separately)

Part No: PCPE-INF33H1



All technical specifications are subject to change without notice.

CARRYING SOLUTIONS

Breakable Shoulder Strap

For use with most cases.
Attachment via D-rings.

Part No: PCPE-SYSSSB1



Shoulder Strap for TOUGHBOOK 33 Tablet

Part No: CF-VNS331U



User Harness

For use with most cases.
Attachment via D-rings.

Part No: PCPE-INFUVA1



Replacement Standard Shoulder Strap

For use with most cases.
Attachment via D-rings.

Size: 38 x 1442 mm / 1.5 x 56"

Weight: 0.14 kg / 0.3 lb

Part No: PCPE-INFSS01



Deluxe Shoulder Strap

For use with most cases.
Attachment via D-rings.

Size: 38 x 1442 mm / 1.5 x 56"

Weight: 0.14 kg / 0.3 lb

Part No: PCPE-INFSS02



Generic DuraStrap

For use with most cases.
Attachment via D-rings.

Size: 1651 x 25.4 x 6.35 mm / 65 x 1 x 0.25"

Weight: 136 g / 0.3 lb

Part No: PCPE-INFGNDS



Synergy 15.4" Laptop Rucksack

Size: 254 x 330 x 460 mm / 10 x 13 x 18"

Weight: 1 kg / 2.2 lbs

Part No: PCPE-WENSYN1



General Backpack

Size: 470 x 368 x 279 mm / 18.5 x 14.5 x 11"

Weight: 1.5 kg / 3.4 lb

Part No: PCPE-INFBPK1



All technical specifications are subject to change without notice.

POWER MANAGEMENT SOLUTIONS

Standard 3 Cell Battery

Part No: CF-VZSU1AW



Extended 6 Cell Battery

Part No: CF-VZSU1BW

Please note: Extended batteries are compatible only with main units configured for an extended battery.



4-bay Battery Charger

Compatible with both standard and extended battery packs. Contains power lead.

Part No: CF-VCB331*

* E: UK; G: EU; T: Italy; D: Switzerland



AC Power Supply

For use with device and desk dock.

Part No: CF-AA5713A*

*E: UK; G: EU; T: Italy; D: Switzerland



Charger For Forklifts

Part Nos:

- PCPE-LNDFH11: 70-110V
- PCPE-LNDFH32: 12-32V
- PCPE-LNDFH60: 20-60VDC



Car Charger

120 W, 12-32Vdc input

Part No: CF-LND1224A



Car Charger

90W, 12-16VDC input

Part Nos:

- CF-LND80S-FD – cigarette plug
- CF-LND80SBW – Bare wire



Car Charger

90 W, 12-32VDC input

Part Nos:

- CF-LND8024FD - cigarette plug
- CF-LND8024BW - bare wire



Mil Spec Car Charger

Part No:

- PCPE-LND3676 - 120W, 22-32 VDC
- PCPE-LNDMLSTD – 90W, 11-32 VDC



All technical specifications are subject to change without notice.

CONNECTIVITY SOLUTIONS



Ruggedised LTE, WIFI and GPS router with cloud management

Part Nos:

- **PCPE-CRD96B1** - IBR900-600M router with 1yr cloud management bundle
- **PCPE-CRD96B3** - IBR900-600M router with 3yr cloud management bundle
- **PCPE-CRD96B5** - IBR900-600M router with 5yr cloud management bundle
- **PCPE-CRD96F1** - IBR900-600M router with 1yr cloud management bundle and vehicle antenna
- **PCPE-CRD96F3** - IBR900-600M router with 3yr cloud management bundle and vehicle antenna
- **PCPE-CRD96F5** - IBR900-600M router with 5yr cloud management bundle and vehicle antenna

LAN Port Saver Cable

Part No: PCPE-LAN CAB1



Semi-rugged cloud managed LTE router

Part Nos:

- **PCPE-CRD6001** - IBR600C Wi-Fi router with 3-year NetCloud Essentials support
- **PCPE-CRD6002** - IBR600C Wi-Fi router with 5-year NetCloud Essentials support
- **PCPE-CRD6003** - IBR600C Wi-Fi router with 3-year NetCloud Essentials Prime support
- **PCPE-CRD6004** - IBR600C Wi-Fi router with 5-year NetCloud Essentials Prime support
- **PCPE-CRD6005** - Cradlepoint 9 wire GPIO cable. Adds 4 GPIO, 2nd ignition sense, redundant power

Wireless USB Adaptor

Part No: PCPE-ZYWAN30



SECURITY & PROTECTION SOLUTIONS

LCD Screen Cleaning Cloth

Part No: CF-VNC001W

MOQ: 10 pcs



Shatterproof Protective LCD Film

1 sheet

Part No: CF-VPF34U



Kensington Lock

Part No: PCPE-KENLOK1



All technical specifications are subject to change without notice.

OTHER PERIPHERALS

Slimline External CD/DVD Writer

Part No: PCPE-FCDVR05



Slimline External Blu-Ray Writer

Part No: PCPE-FCDVR06



Rugged Bluetooth Barcode Scanner

IP 54 rating.

Part Nos:

- PCPE-SMSD730 - 1D barcode Scanner - grey
- PCPE-SMSD750 - 1D & 2D barcode scanner - grey



USB 3.0 to HDMI Adaptor

Part No: PCPE-LDY4317



All technical specifications are subject to change without notice.



MOBILE PRINT / SCAN SOLUTIONS



MW Series A7 Lightweight Printers

The extremely small and lightweight MW printers are easy-to-operate mobile printing solutions for printing A7 documents. Works with a range of printing materials, including a 2-ply carbon copy paper, ideal for receipt and ticket printing.

Part Nos.: PCPE-BRP145B MW-145BT A7 Mobile Printer (USB & Bluetooth)



PJ7 Series A4 Mobile Printers

Perfectly dimensioned for your briefcase or computer bag, PJ7 series of compact, direct thermal printers can also be easily mounted in your vehicle. Take it out on the road and make sure your clients and customers receive those all-important documents in an instant. Available with 300 dpi print resolution, and with USB, Bluetooth or Wi-Fi.

Part Nos.:

- PCPE-BRPJ762 PJ762 A4 mobile printer, 200dpi with USB & Bluetooth
- PCPE-BRPJ763 PJ763 A4 mobile printer, 300dpi with USB & Bluetooth

RJ Series Rugged Mobile Printers

The RJ "Rugged Jet" series portable printers are ideal on-person devices for mobile workers needing to print labels and receipts on the go.

RJ2000 Series



- PCPE-BRP2030 RJ2030 2" ticket/receipt printer (USB & Bluetooth)
- PCPE-BRP2050 RJ2050 2" ticket/receipt printer (USB, Bluetooth & Wi-Fi)
- PCPE-BRP2140 RJ2140 2" ticket and label printer (USB & Wi-Fi)
- PCPE-BRP2150 RJ2150 2" ticket and label printer (USB, Bluetooth & Wi-Fi)

RJ3000 series



- PCPE-BRP3050 RJ3050 3" Mobile Receipt Printer (USB, serial, Bluetooth & Wi-Fi)
- PCPE-BRP3150 RJ3150 3" Mobile Receipt & Label Printer (USB, serial, Bluetooth & Wi-Fi)

RJ4000 series



- PCPE-BRPRJ30 RJ4030 4" Mobile Printer (USB, serial & Bluetooth)
- PCPE-BRPRJ40 RJ4040 4" Mobile Printer (USB, serial & Wi-Fi)

All technical specifications are subject to change without notice.

PROFESSIONAL SERVICES

Custom BIOS Services

Part No: PCPE-PSBIO5G

SIM Installation

Part No: PCPE-PSSIMIN

Information Management Bundle

IMEI, MAC, SIM, ASSET, Hardware Hash reporting.

Part No: PCPE-PSATAGB

Customer Branding

Logo badge on device casing or bezel.

Part No: PCPE-PSLOG0B

Bespoke Training Material

Part No: PCPE-PSBTM01

Price on Request.

Custom Imaging

Part Nos:

- PCPE-PSIMSP1 – Image Support / Creation (per day)
- PCPE-PSIMSP2 – On Site Image Support / Creation (per day)

Asset Tagging

Standard, using CPE label set.

Part No: PCPE-PSATAG1

Customised Deployment / Logistics

Part No: PCPE-PSCDL01

Price on Request.

Solution Packaging

Up to 10 items packaged together in a box.

Does not include custom designed case.

Part No: PCPE-PSSPACK

Autopilot Enrolment

Part No: PCPE-PSAUTOP

All technical specifications are subject to change without notice.



LIFECYCLE SUPPORT SOLUTIONS



Extended Warranty (4 or 5 years)

Panasonic's Extended Warranty provides an additional two years of warranty, helping you to minimise repair costs and maximise the life cycle of your TOUGHBOOK or Toughpad.

Part No.:	CF-LESPEW*	*4 / 5	Detachable model
	FZ-LESPEW*	*4 / 5	Tablet model

Accidental Damage (3, 4 or 5 years)

Panasonic's Accidental Damage Warranty provides protection against any eventuality out in the field for up to 5 years, providing you and your workforce with complete peace of mind.

Part No.:	CF-LESPAD*	*3 / 4 / 5	Detachable model (4 & 5 year options include Extended Warranty)
	FZ-LESPAD*	*3 / 4 / 5	Tablet model (4 & 5 year options include Extended Warranty)

Hard Drive Warranty (3, 4 or 5 years)

Panasonic's Hard Drive Warranty allows you to keep your original hard drive in the event of a replacement being required, or in the event that your device needs to be sent for repair, ensuring the security of your sensitive data.

Part No.:	CF-LESPHDEW*	*3 / 4 / 5
-----------	--------------	------------

Docking Station Warranties (3, 4, or 5 years)

Extended Warranty:

CF-LESPPD*	*3 / 4 / 5	Panasonic Dock – 3, 4 or 5 years Extended Warranty
CF-LESPND*	*3 / 4 / 5	3rd Party Dock – 3, 4 or 5 years Extended Warranty

Accidental Damage:

CDS-LESPAD*	*3 / 4 / 5	Panasonic Dock – 3, 4 or 5 years Accidental Damage Warranty
CDS-LESPTAD*	*3 / 4 / 5	3rd Party Dock – 3, 4 or 5 years Accidental Damage Warranty

Smart Battery Warranty (3 years only)

Smart Battery Monitor software, powered by B2M Solutions, monitors device battery health in real-time. Smart Battery Monitor will alert you when batteries deployed in the field reach low capacity during normal use, so a replacement battery can be sent out in advance. Available at point of sale of device only.

Part No.:	CF-LESPBASS3
-----------	--------------

All technical specifications are subject to change without notice.

TOUGHBOOK Smart Service

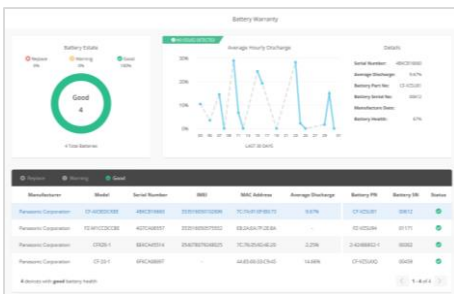


Real time analytics, powered by B2M Solutions, showing the health and performance of your estate of mobile devices, focussing on areas such as battery life, data usage, disruptions and connectivity. Enables the user to recognise patterns of usage and potentially pre-empt issues before they arise.

Part Nos.:

- **CF-LESPSSM3** 3 year Smart Service self-managed licence
- **CF-LESPSSM5** 5 year Smart Service self-managed licence

Smart Battery Monitor

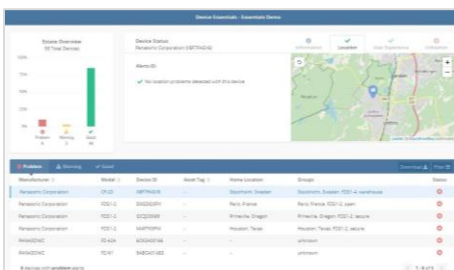


An additional “Smart” module that monitors battery usage and health in detail, focusing on battery serial numbers, the software allows the customer to track, identify and replace batteries before they impact productivity. With dashboard access and alerts.

Part Nos:

- **CF-LESPBAAE1** 1 year Smart Battery Monitor software licence
- **CF-LESPBAAE3** 3 year Smart Battery Monitor software licence
- **CF-LESPBAAE5** 5 year Smart Battery Monitor software licence

Smart Device Monitor



An additional “Smart” module that monitors device usage in more detail. Dashboard access provides information such as device location; user experience, including drop detection on Android devices and also enables alerts and geofences to be set up.

Part Nos:

- **CF-LESPDAEE1** 1 year Smart Device Monitor software licence
- **CF-LESPDAEE3** 3 year Smart Device Monitor software licence
- **CF-LESPDAEE5** 5 year Smart Device Monitor software licence

All technical specifications are subject to change without notice.

SOFTWARE SOLUTIONS – PREMIER PARTNERS



Absolute Data and Device Security

Patented technology to centrally secure TOUGHBOOK devices for unrivalled endpoint security and data risk management.

Part Nos:

- | | | |
|--------------------------|---------------------|----------------|
| • PCPE-ABSVIS* 1/2/3/4/6 | Absolute Visibility | 1/2/3/4/5 yrs. |
| • PCPE-ABSDPR* 1/2/3/4/6 | Absolute Control | 1/2/3/4/5 yrs. |
| • PCPE-ABSDPM* 1/2/3/4/6 | Absolute Resilience | 1/2/3/4/5 yrs. |

Website: <https://www.absolute.com/partners/oem/panasonic/>



NetMotion Mobility

More than just a VPN, "Mobility" Mobile Performance Management software can dynamically maintain access to applications through changing network conditions, allowing mobile workers to remain productive anywhere their work takes them. Diagnostics option also available.

Part Nos:

- PCPE-NLW 1/3/5*** Mobility and Diagnostics (plus 1, 3 or 5 years maintenance/support)
- PCPE-NMW 1/3/5*** Mobility only (plus 1, 3 or 5 years maintenance/support)

Website: <https://www.netmotionsoftware.com/products/mobility>



SOTI MobiControl

MobiControl is an Enterprise Mobility Management (EMM) solution with enhanced EMM features like application management, content management, location services and remote help.

Part Nos:

- PCPE-SOTCL** 1/2/3/5 U/E Cloud license & hosting (1, 2, 3 or 5 yrs. / UK or EU)

Website: <https://www.soti.net/products/soti-mobicontrol/>



Sygic

Sygic Professional GPS Navigation works offline and features truck specific routing, itinerary with time windows and over 60 APIs for development with Android and Windows based apps.

Part numbers available upon request.

Website: <https://www.sygic.com/enterprise/professional-gps-navigation-sdk>

For more info on these software solutions, please refer to the co-branded data sheet [here](#).

SOFTWARE SOLUTIONS – CERTIFIED PARTNERS



StayLinked

StayLinked's SmartTE software provides a cost-effective way to take advantage of touchscreen devices with Terminal Emulation by transforming traditional "green screen" application screens into easy-to-use, graphical screens with no changes to the underlying enterprise applications.

For more information or to request a demo, visit:
<https://www.staylinked.com/panasonic>



Loqus

Loqus Fleet Ltd specialises in the provision of end-to-end Transport management systems providing organisations with the necessary tools to help them Plan, Execute and Monitor & Control work orders from initial order taking down to the last mile. Headquartered in Malta, the group employs a passionate team of high calibre software engineers supported by an experienced management team

Visit website: <http://openfleet.loqusgroup.com/>



Acronis

Acronis sets the standard for cyber protection and hybrid cloud storage through its innovative backup, anti-ransomware, disaster recovery, storage, and enterprise file sync and share solutions. Enhanced by its award-winning AI-based active protection technology, blockchain-based authentication and unique hybrid-cloud architecture, Acronis protects all data in any environment – including physical, virtual, cloud, mobile workloads and applications – all at a low and predictable cost.

Visit website: <https://www.acronis.com>



GPC Systems

GPC is an award-winning software house with over 25 years of experience working with a range of sectors across the globe. Driven by the needs of their customers in healthcare, transportation, police, logistics and local government, GPC strives to improve outcomes through the most efficient use of resources. GPC has in-depth experience creating solutions utilising 3D cameras, including the Intel® RealSense™ technology integrated into the TOUGHBOOK M1.

Visit website: <https://www.gpcsl.com/>

All technical specifications are subject to change without notice.



ACCESSORY SUMMARY 1

Solution Type	Part Number	Description
Power Management	CF-VZSU1AW	Standard 3 Cell Battery
	CF-VZSU1BW	Extended 6 Cell Battery
	CF-VCB331E/G/T/D	4-Bay Battery Charger
	CF-AA5713AE/G/T/D	AC Power Supply
	CF-LND1224A	Car Charger (120W, 12-32 VDC)
	CF-LND80S-FD/BW	Car Charger (90W, 12-16 VDC)
	CF-LND8024FD/BW	Car Charger (90W, 12-32 VDC)
	PCPE-LNDFH11	Car Charger (70-110V) For forklift
	PCPE-LNDFH32	Car Charger (12-32V) For forklift
	PCPE-LNDFH60	Car Charger (20-60VDC) For forklift
	PCPE-LND3676	Mil Spec Car Charger (120W, 22-32 VDC)
PCPE-LNDMLSTD	Mil Spec Car Charger (90W, 11-32 VDC)	
Docking Solutions	CF-VEB331U	TOUGHBOOK 33 Desktop Port Replicator
	PCPE-GJ33V 06/07/08	Gamber Johnson TOUGHBOOK 33 Laptop Vehicle Dock
	PCPE-GJ33V 01/02/03/04/05/06	Gamber Johnson TOUGHBOOK 33 Tablet Vehicle Dock
	PCPE-GJ33V 09/10/11/12	Gamber Johnson TOUGHBOOK 33 Slim Tablet Vehicle Dock
	PCPE-HAV33 01/02/03	Havis TOUGHBOOK 33 Laptop Vehicle Dock
	PCPE-HAV33 05/06/07/09/10	Havis TOUGHBOOK 33 Tablet Vehicle Dock
Styluses	CF-VNP023U	Panasonic IP55 Digitiser Pen
	CF-VNT002U	Stylus Tether
Keyboards	CF-VEK331NEP	TOUGHBOOK 33 Standard Keyboard (UK)
	PCPE-KEYB	Mini USB Keyboard
	PCPE-MMRK01E/F/G	Rugged USB Keyboard
	PCPE-ACDSUK1/FR1	Mini Rugged Bluetooth Keyboard
	PCPE-ACCABK1/2/3/4	Mini Antibacterial USB Keyboard

All technical specifications are subject to change without notice.

ACCESSORY SUMMARY 2

Solution Type	Part Number	Description
Carrying Solutions	CF-VST332U	TOUGHBOOK 33 Rotation Strap with Kick Stand
	CF-VST331U	Hand Strap for TOUGHBOOK 33 Tablet
	PCPE-INF33A2	TOUGHBOOK 33 Always On Case – Notebook
	PCPE-INF33A1	TOUGHBOOK 33 Always On Case – Tablet
	PCPE-INF33H1	TOUGHBOOK 33 Rotating Hand Strap
	PCPE-INF33H2	TOUGHBOOK 33 Advanced Hand Strap
	PCPE-INF33B1	TOUGHBOOK 33 Mobility Bundle
	PCPE-SYSSSB1	Breakable Shoulder Strap
	CF-VNS331U	Shoulder Strap for TOUGHBOOK 33 Tablet
	PCPE-INFUVA1	User Harness
	PCPE-INFSS01	Standard Shoulder Strap
	PCPE-INFSS02	Deluxe Shoulder Strap
	PCPE-INFGNDS	Generic Dura Strap
	PCPE-INFBPK1	General Backpack
	PCPE-WENSYN1	Synergy 15.4" Laptop Rucksack
Connectivity	PCPE-CRD96B1/3/5	IBR900-600M router with cloud management bundle (1, 3 or 5 year)
	PCPE-CRD96F1/3/5	IBR900-600M router with cloud management bundle and vehicle antenna (1, 3 or 5 year)
	PCPE-CRD6001/2	IBR600C Wi-Fi router with NetCloud Essentials support (3 or 5 year)
	PCPE-CRD6003/4	IBR600C Wi-Fi router with NetCloud Essentials Prime support (3 or 5 year)
	PCPE-ZYWAN30	Wireless USB Adaptor
	PCPE-LANCAB1	LAN Port Saver Cable
Protection & Security	CF-VNC001W	Cleaning Cloth for LCD
	CF-VPF34U	Shatterproof Protective LCD film
	PCPE-KENLOK1	Kensington Lock
	PCPE-LDY0454	USB Port Blocker
Other Peripherals	PCPE-FCDVR05	Slimline External CD/DVD Writer
	PCPE-FCDVR06	Slimline External Blu-Ray Writer
	PCPE-SMSD730	1D Long Range Barcode Scanner
	PCPE-SMSD750	1D & 2D Long Range Barcode Scanner
	PCPE-LDY4317	USB 3.0 to HDMI Adaptor
Printing	PCPE-BRP145B	MW-145BT A7 Mobile Printer (USB & Bluetooth)
	PCPE-BRPJ762	PJ762 A4 mobile printer, 200dpi with USB & Bluetooth
	PCPE-BRPJ763	PJ763 A4 mobile printer, 300 dpi with USB & Bluetooth
	PCPE-BRP2030	RJ2030 2" ticket/receipt printer (USB & Bluetooth)
	PCPE-BRP2050	RJ2050 2" ticket/receipt printer (USB, Bluetooth & WiFi)
	PCPE-BRP2140	RJ2140 2" ticket and label printer (USB & WiFi)
	PCPE-BRP2150	RJ2150 2" ticket and label printer (USB, Bluetooth & WiFi)

All technical specifications are subject to change without notice.

ACCESSORY SUMMARY 3

Solution Type	Part Number	Description
Printing continued	PCPE-BRP3050	RJ3050 Mobile Receipt Printer (with USB, serial, Bluetooth & Wi-Fi)
	PCPE-BRP3150	RJ3150 Mobile Receipt & Label Printer (with USB, serial, Bluetooth & Wi-Fi)
	PCPE-BRPRJ30	RJ-4030 4" Mobile Printer (with USB, serial & Bluetooth)
	PCPE-BRPRJ40	RJ-4040 4" Mobile Printer (with USB, serial & Wi-Fi)
Professional Services	PCPE-PSBIOSG	Custom BIOS Service – Gold
	PCPE-PSIMSP1	Image Support / Creation (per day)
	PCPE-PSIMSP2	On Site Image Support / Creation (per day)
	PCPE-PSSIMIN	SIM Installation
	PCPE-PSATAG1	Asset Tagging
	PCPE-PSATAGB	Information Management Bundle
	PCPE-PSSPACK	Solution Packaging
	PCPE-PSLOGOB	Logo badge only
	PCPE-PSCDL01	Customised Deployment / Logistics
Lifecycle Support Solutions	FZ/CF-LESPEW* 4/5	Extended Warranty (4 or 5 years)
	FZ/CF-LESPAD* 3/4/5	Accidental Damage Warranty (3, 4 or 5 years)
	CF-LESPPHDEW *3/4/5	Hard Drive Warranty
	CF-LESPPD* 3/4/5/	Panasonic Dock Extended Warranty – 3, 4 or 5 years
	CF-LESPND* 3/4/5/	Third Party Dock Extended Warranty – 3, 4 or 5 years
	CDS-LESPAD* 3/4/5	Panasonic Dock Accidental Damage Warranty - 3, 4 or 5 yrs
	CDS-LESPTAD* 3/4/5	3rd Party Dock Accidental Damage Warranty - 3, 4 or 5 yrs
Smart Services	CF-LESPPSSM3/5	Smart Service self managed licence – 3 or 5 years
	CF-LESPPBAEE1/3/5	Smart Battery Monitor software licence – 1, 3 or 5 years
	CF-LESPPDAEE1/3/5	Smart Device Monitor software licence – 1, 3 or 5 years
Software Solutions	PCPE-ABSDPM* 1/2/3/4/6	Absolute Resilience
	PCPE-ABSDPR* 1/2/3/4/6	Absolute Control
	PCPE-NMW 1/3/5*** PCPE-NLW 1/3/5***	NetMotion Mobility & Diagnostics software and support
	PCPE-SOTMC 1/2/3/5 U/E	Subscription & Maintenance (1, 2, 3 or 5 yrs; U: UK/E: EU)
	PCPE-SOTCL 1/2/3/5 U/E	Cloud License & hosting (1, 2, 3 or 5 yrs; U: UK/E: EU)

Panasonic and TOUGHBOOK are brand names and registered trademarks of Panasonic Corporation. Intel, the Intel logo, Intel Core, Intel vPro, Core Inside and vPro Inside are trademarks of Intel Corporation in the U.S. and other countries. Microsoft® and Windows® are registered trademarks of Microsoft® Corporation of the United States and/or other countries. All other brand names shown are the registered trademarks of the relevant companies. All rights reserved.

Mobile Solutions Business Division Europe, a division of Panasonic Marketing Europe GmbH Panasonic Marketing Europe GmbH is a company registered in Germany at Hagenauer Strasse 43, 65203 Wiesbaden, Germany. Registered in AG Wiesbaden HRB 13178